

# PRODUCT INFORMATION PACKET

Model No: 5KC42GN0309X  
Catalog No: C289  
1/2, 1725, TEFC, 56, 1/60/115/230  
Totally Enclosed Fan Cooled (TEFC)



Regal and Marathon are trademarks of Regal Beloit Corporation or one of its affiliated companies.  
©2018 Regal Beloit Corporation, All Rights Reserved. MC017097E



**Nameplate Specifications**

Output HP	<b>1/2 Hp</b>	Output KW	<b>0.37 kW</b>
Frequency	<b>60 Hz</b>	Voltage	<b>115/230 V</b>
Current	<b>8.6,4.3 A</b>	Speed	<b>1725 rpm</b>
Service Factor	<b>1.15</b>	Phase	<b>1</b>
Efficiency	<b>64.9 %</b>	Duty	<b>Continuous</b>
Insulation Class	<b>B</b>	Design Code	<b>-</b>
KVA Code	<b>M</b>	Frame	<b>56</b>
Enclosure	<b>Totally Enclosed Fan Cooled</b>	Overload Protector	<b>AUTO</b>
Ambient Temperature	<b>40 °C</b>	Drive End Bearing Size	<b>6203</b>
Opp Drive End Bearing Size	<b>6203</b>	UL	<b>Recognized</b>
CSA	<b>Yes</b>	CE	<b>N</b>

**Technical Specifications**

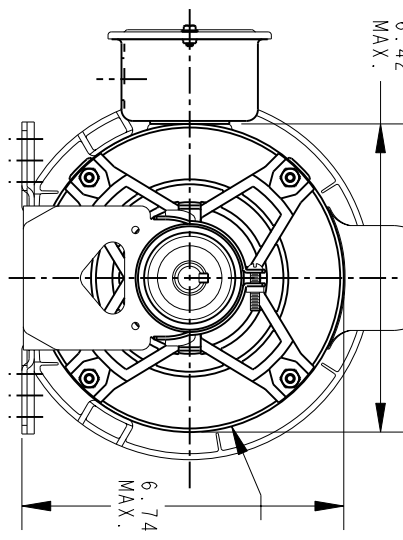
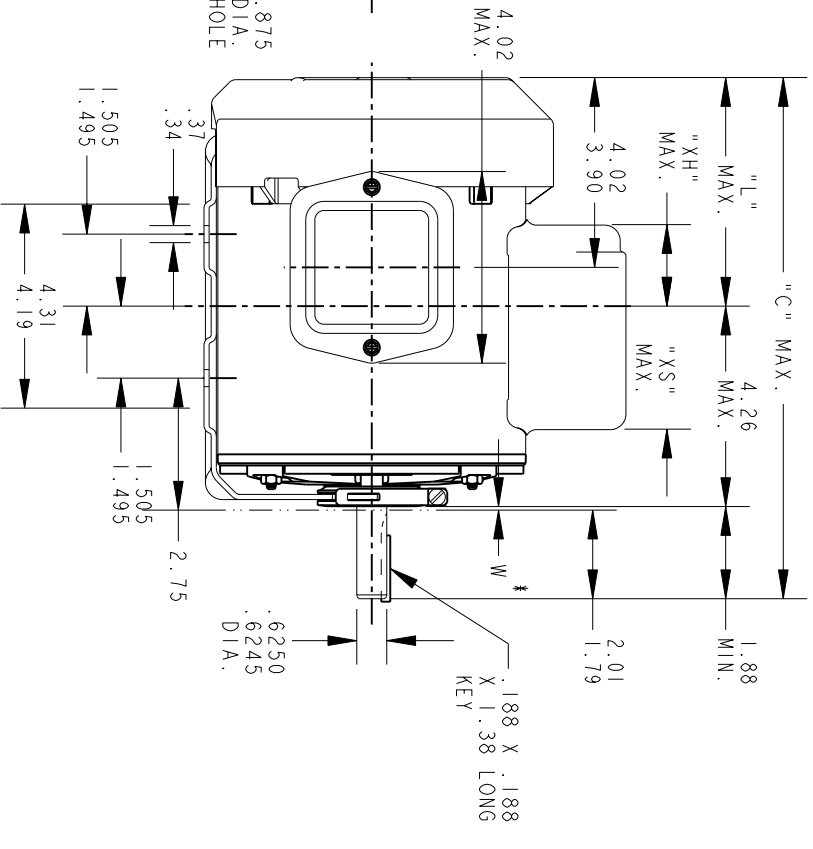
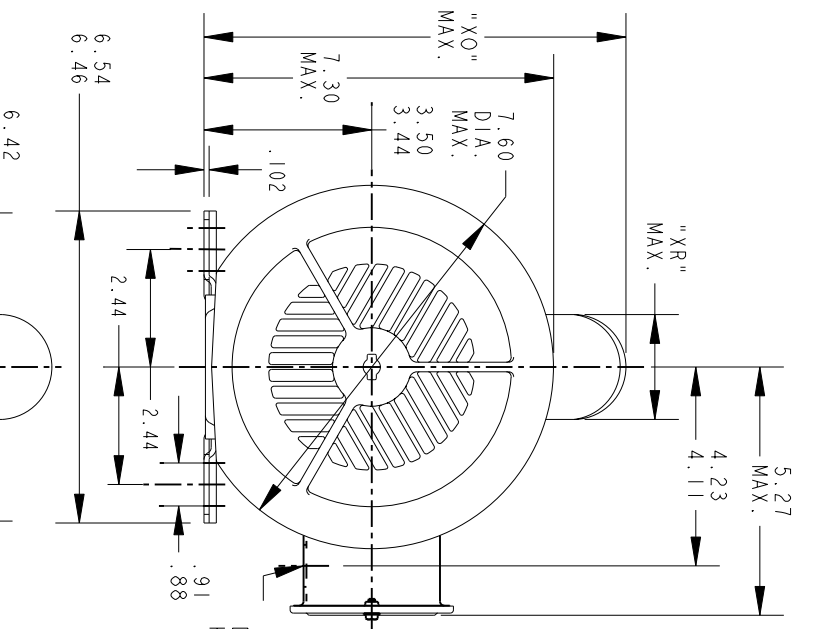
Electrical Type	<b>Capacitor Start Induction Run</b>	Starting Method	<b>SM</b>
Poles	<b>4</b>	Rotation	<b>Counterclockwise/Clockwise</b>
Mounting	<b>Resilient Base</b>	Motor Orientation	<b>ANY</b>
Drive End Bearing	<b>BALL</b>	Opp Drive End Bearing	<b>BALL</b>
Frame Material	<b>Rolled Steel</b>	Overall Length	<b>11 in</b>
Frame Length	<b>5.72 in</b>	Shaft Diameter	<b>0.63 in</b>
Shaft Extension	<b>1.88 in</b>		
Outline Drawing	<b>52A107624P1</b>	Connection Diagram	<b>52A105383BA</b>

**This is an uncontrolled document once printed or downloaded and is subject to change without notice. Date Created: 10/08/2018**

THIRD ANGLE PROJECTION



REVISIONS		DESCRIPTION	DATE	APPROVED
REV. 10	UPDATED DIMENSIONS FOR PART #3.		05/16/94	M.D. PAPE
REV. 11	CHG TO RBC FORMAT PER ISO5-1777		02/28/06	SUDHA



VIEW OF P.E. END SHIELD  
 \* W IS A VARIABLE CLEARANCE DUE TO VARIATIONS IN PARTS AND ASSEMBLY

P	TYPE	GE SIZE	NEMA FR.	"C"	"L"	"XH"	"XO"	"XR"	"XS"	MIN. SHELL
4	KC	49	56	12.54	6.28	3.52	8.60	2.40	2.22	7.15
3	KC	49	56	13.07	6.81	3.58	8.95	2.40	2.23	7.68
2	KC	46	56	11.83	5.68	2.44	8.84	2.22	2.10	6.55
1	KC	42	56	11.00	4.85	2.08	8.84	2.22	2.46	5.72

ALL DIMENSIONS ARE IN INCHES

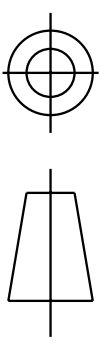
SIGNATURES		DATE
MODEL	M.D. PAPE	09/26/90
DETAIL		
CHECKED		
ENGRG		
FOR ADDITIONAL INFO REFER TO:		
APPLIED PRACTICES	QUALITY	
DIMENSIONS ARE IN INCHES	ISSUED	M.D. PAPE 05/06/94
MATERIAL	SOLID MODEL: 52A107624	



REGAL-BELOTT CORPORATION

TITLE  
**GENERAL PURPOSE MOTOR TEFC - BALL BEARING - RESILIENT BASE FMF - 40 FRAME REDESIGN (SKC42GN0005X)**

SCALE: 0.250	REF. No.:	
SIZE: DRAWING A	REV 11	SHEET 1 of 1

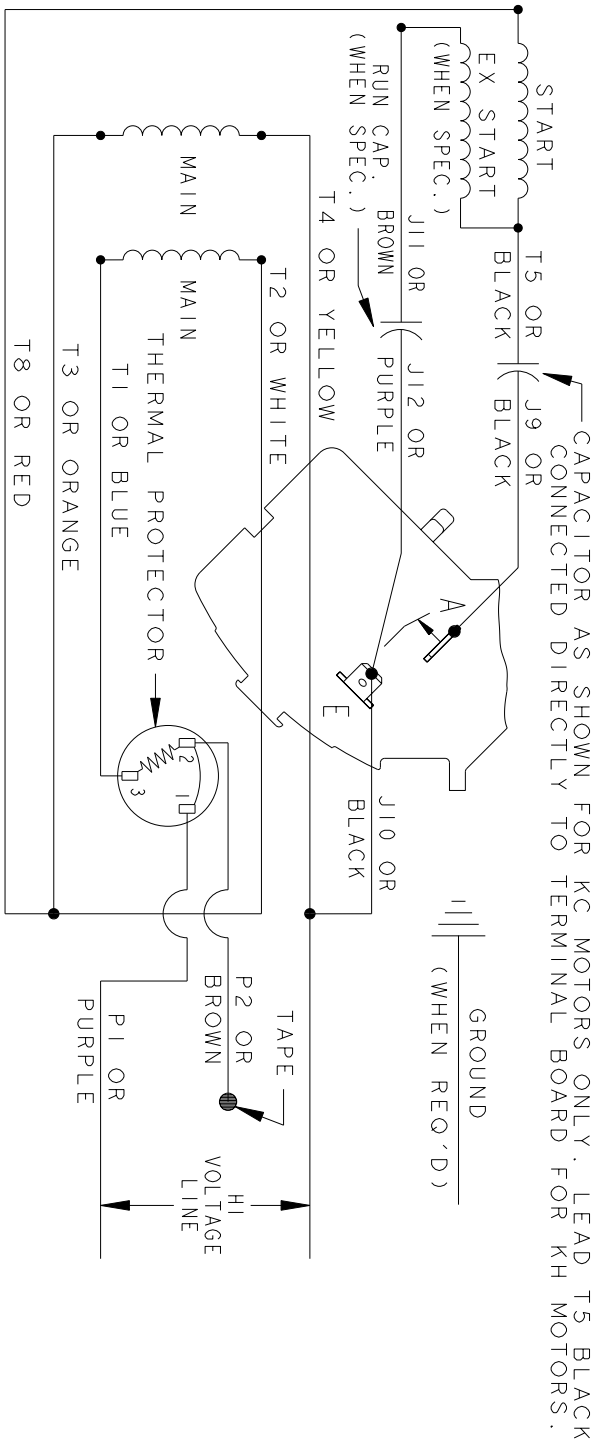
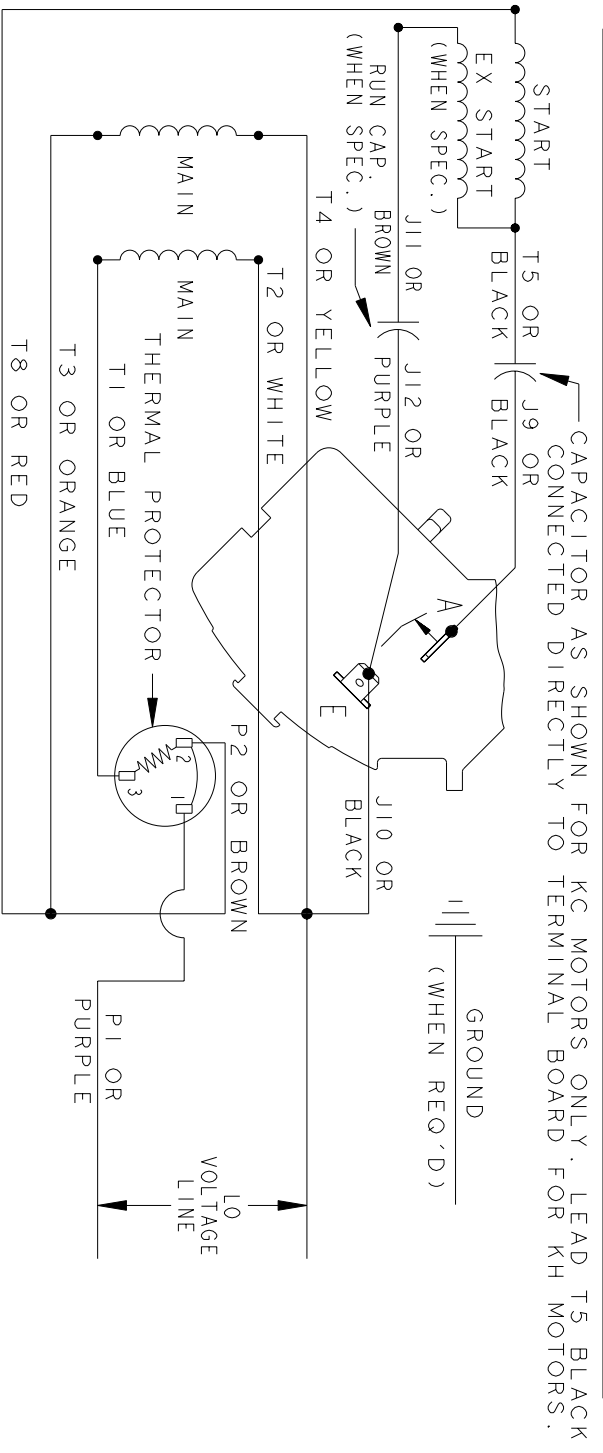


THIRD ANGLE PROJECTION

REVISIONS

REV.	DESCRIPTION	DATE	APPROVED
7	UPDATED FORMAT	01/05/06	MAM

CCW/CW ROTATION - DUAL VOLTAGE  
 TYPE KC, KH OR KCR - WITH THERMAL PROTECTOR



NOTE#1 - TO REVERSE ROTATION, INTERCHANGE T8 RED AND J10 BLACK LEADS.  
 NOTE#2 - WHEN MORE THAN ONE CAPACITOR IS USED, CONNECT IN PARALLEL.  
 NOTE#3 - 115D958ABP5 - HIGH CURRENT CONTACTS.

SWITCH (C) - 115D958ABP5, SWITCH (H) - 115D958AA (USE 115D958DA FOR EP)

REF. DIAG. - 113A327, 119A9352 & 52A102102 CONNECTION LABEL - 52X332912

SIGNATURES		DATE	TITLE	
MODEL	M.D.P.	06/29/87	REGAL-BELOIT CORPORATION	
DETAIL			CONNECTION DIAGRAM	
CHECKED			FME: 30 FRAME SWITCH REDESIGN	
ENGRG			52A105383BA	
MFG			SCALE: 1.000	REF. No.:
QUALITY			SHEET 1 of 1	
ISSUED	M.D.P.	12/11/97	REV 7	
APPLIED PRACTICES				
DIMENSIONS ARE IN INCHES				
MATERIAL	SOLID MODEL: 52A105383BA			